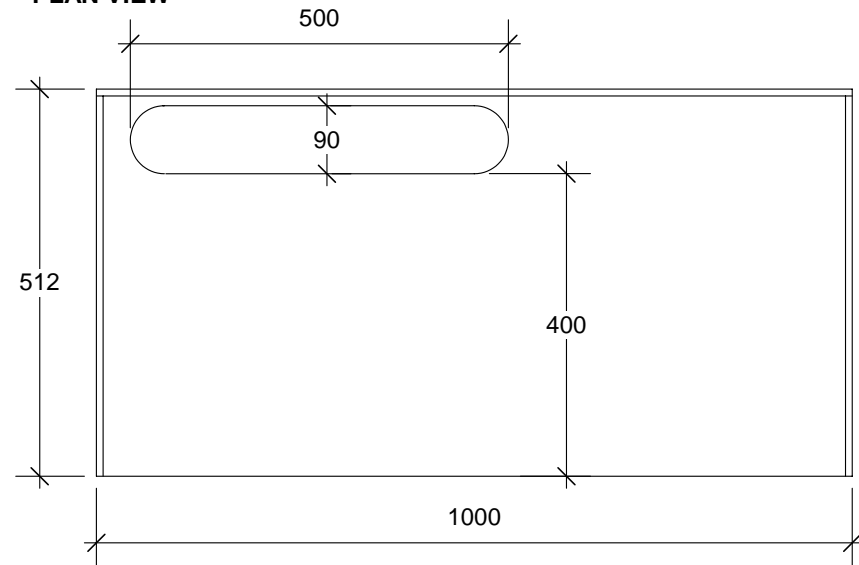
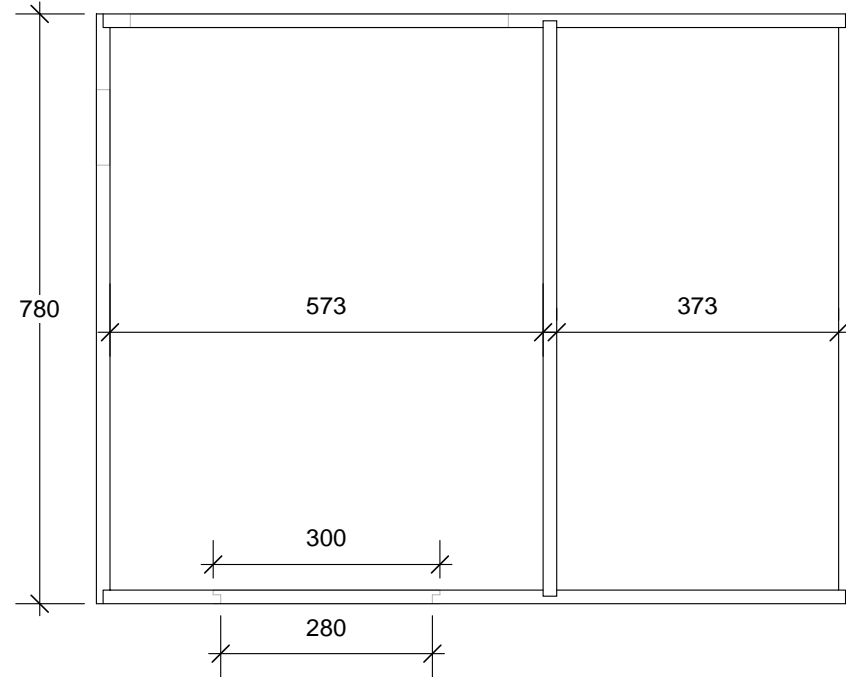


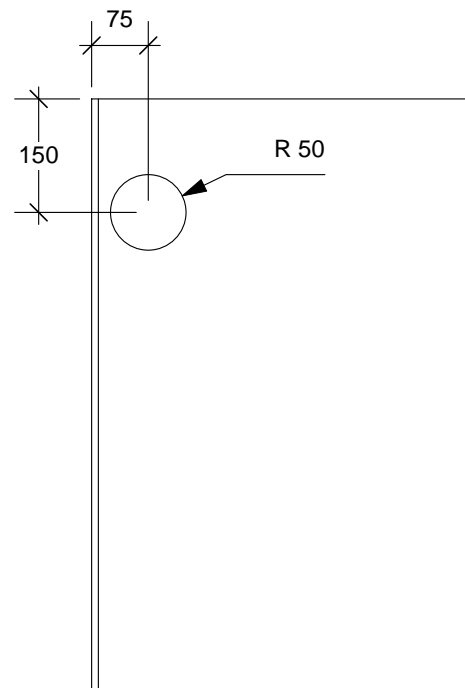
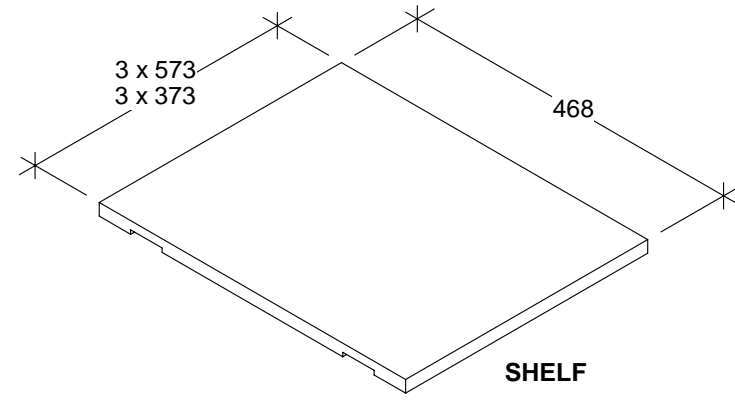
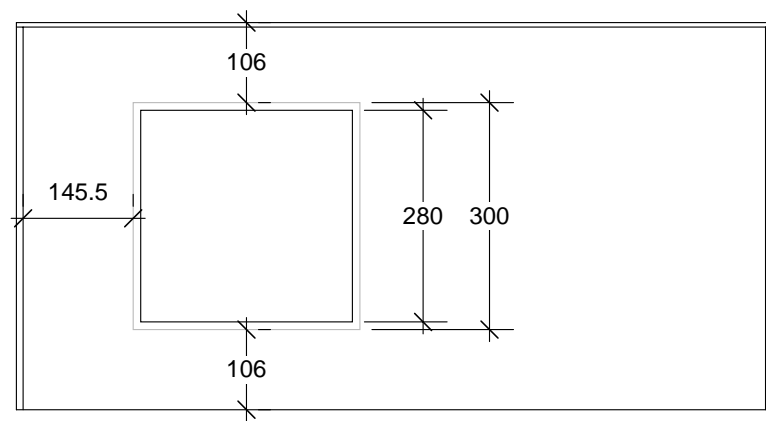
PLAN VIEW



REAR VIEW

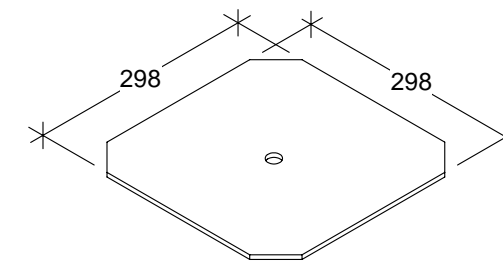
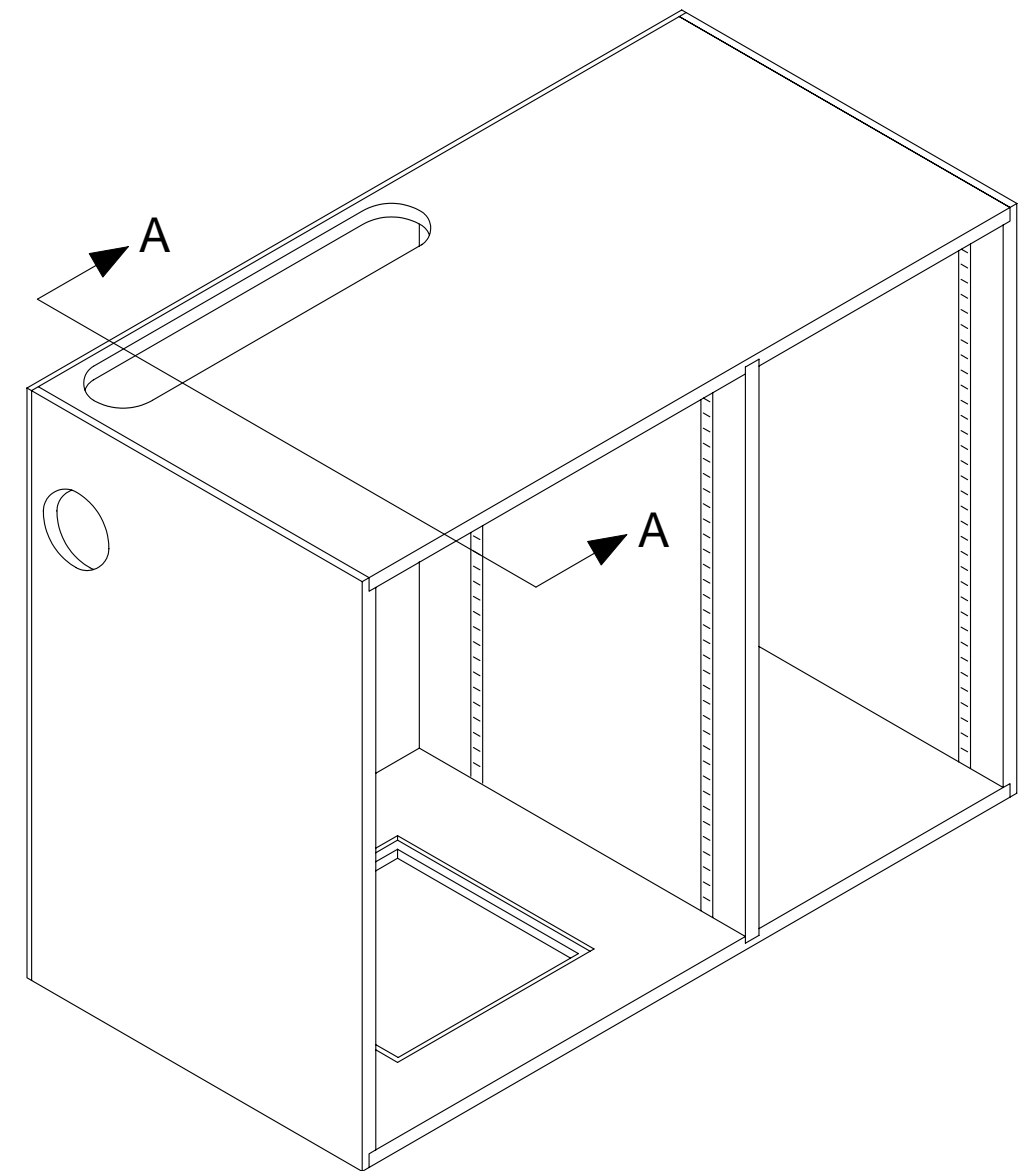
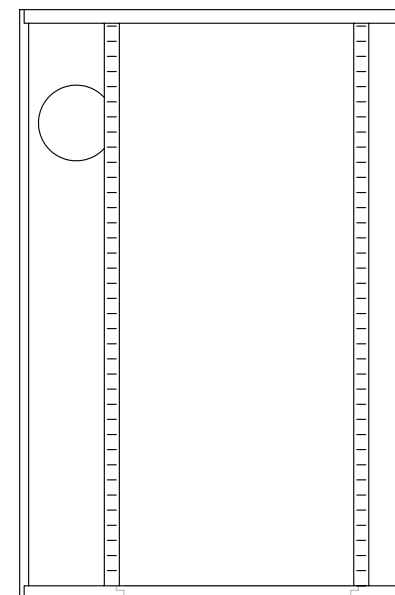


BOTTOM VIEW



SIDE VIEW

SECTION A-A



CLIENT
LOCATION
TITLE
DATE
SCALE
DRAWN BY
CHECKED
REF NO